
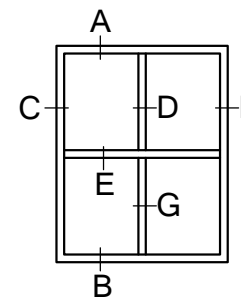
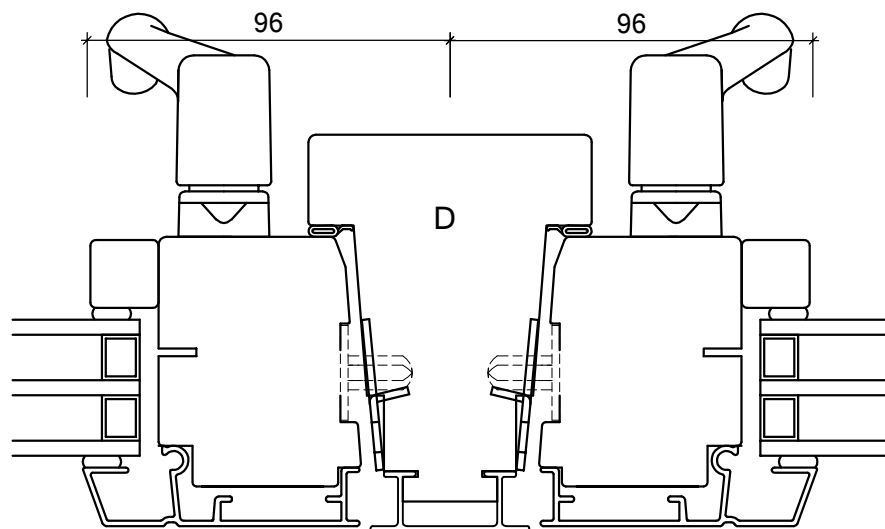
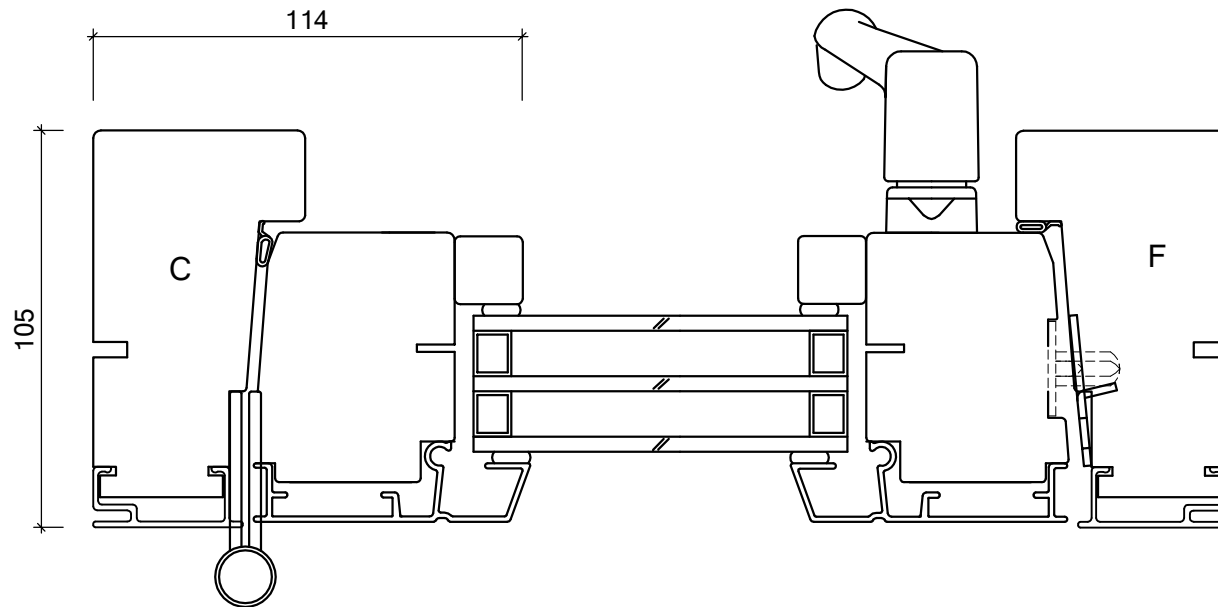
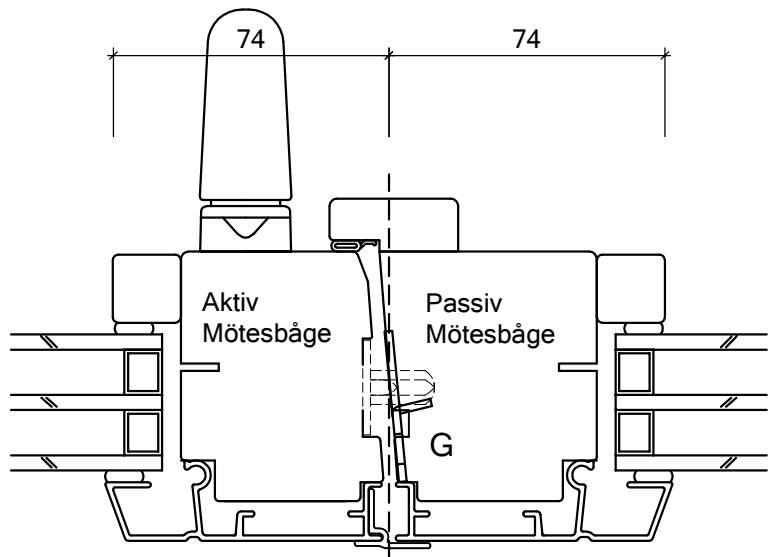

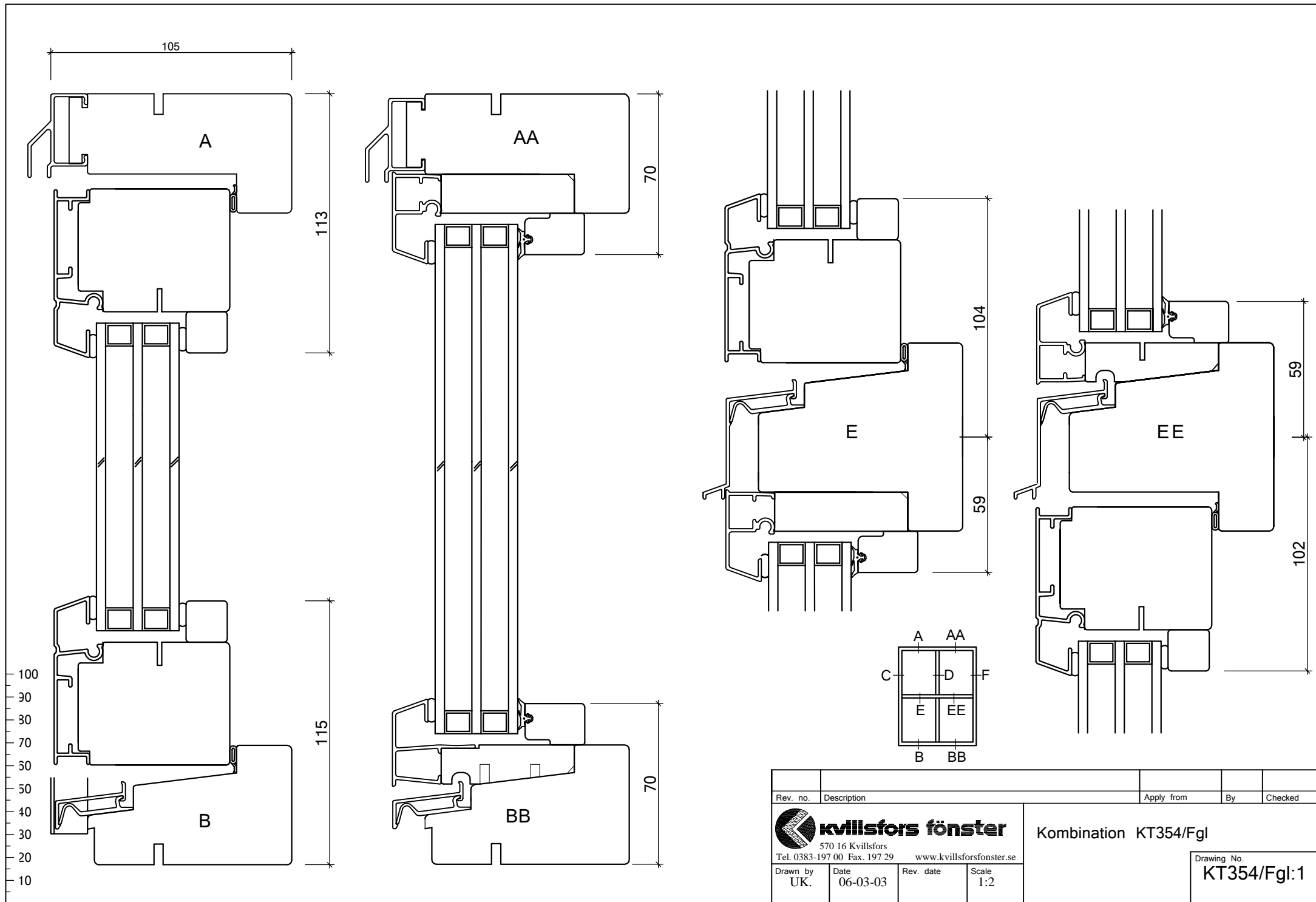


A	Nytt karmunderstycke alu	04-08-16	UK.	
Rev. no.	Description	Apply from	By	Checked
 kvillsfors fönster 570 16 Kvillsfors Tel. 0383-197 00 Fax. 197 29 www.kvillsforsfonster.se		FÖNSTER TYP KT354		
Drawn by	Date	Rev. date	Scale	Drawing No.
TK	02 06 11		1:2	KT354-1




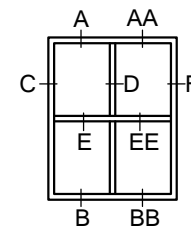
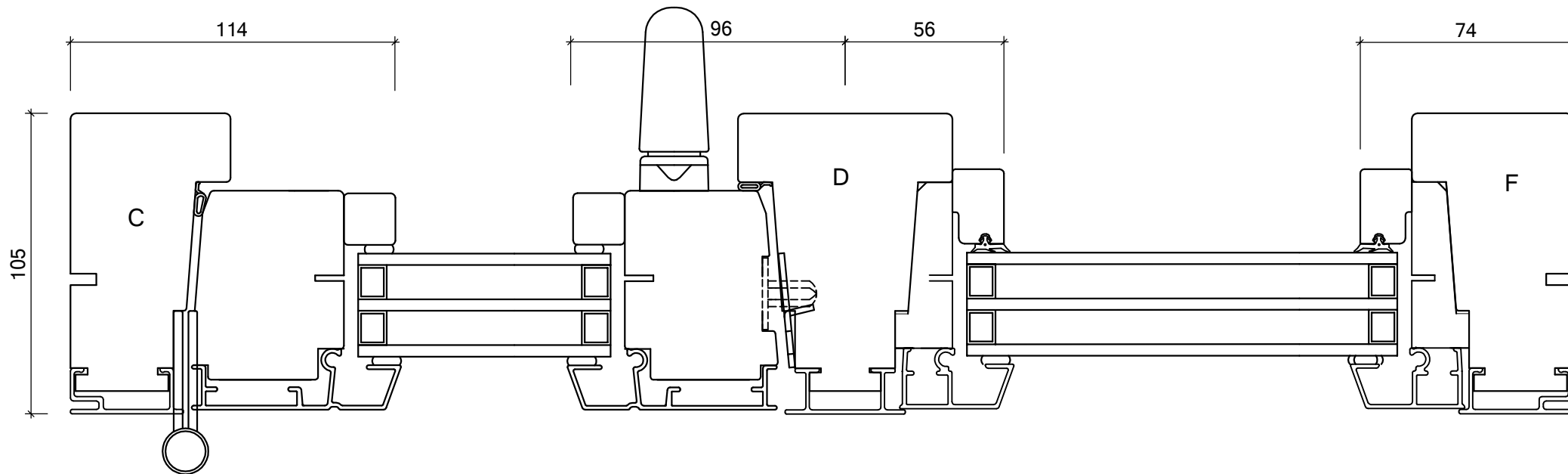
100
90
80
70
60
50
40
30
20
10

Rev. no.	Description	Apply from	By	Checked
 kvillsfors fönster 570 16 Kvillsfors Tel. 0383-197 00 Fax. 197 29 www.kvillsforsfonster.se		FÖNSTER TYP KT354		
Drawn by UK.	Date 03-06-11	Rev. date	Scale 1:2	Drawing No. KT354:2




100
90
80
70
60
50
40
30
20
10

Rev. no.	Description	Apply from	By	Checked
 kvillsfors fönster 570 16 Kvillsfors Tel. 0383-197 00 Fax. 197 29 www.kvillsforsfonster.se		Kombination KT354/Fgl		
Drawn by UK.	Date 06-03-03	Rev. date	Scale 1:2	Drawing No. KT354/Fgl:1



100
90
80
70
60
50
40
30
20
10

Rev. no.	Description	Apply from	By	Checked
 kvillsfors fönster 570 16 Kvillsfors Tel. 0383-197 00 Fax. 197 29 www.kvillsforsfonster.se		Kombination KT354/Fgl		
Drawn by	Date	Rev. date	Scale	Drawing No.
UK.	06-03-03		1:2	KT354/Fgl:2