
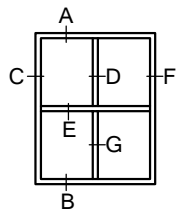
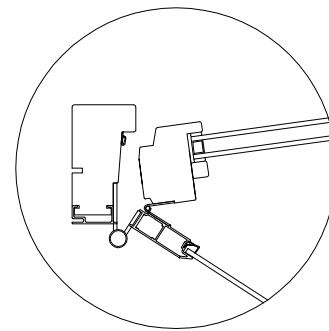
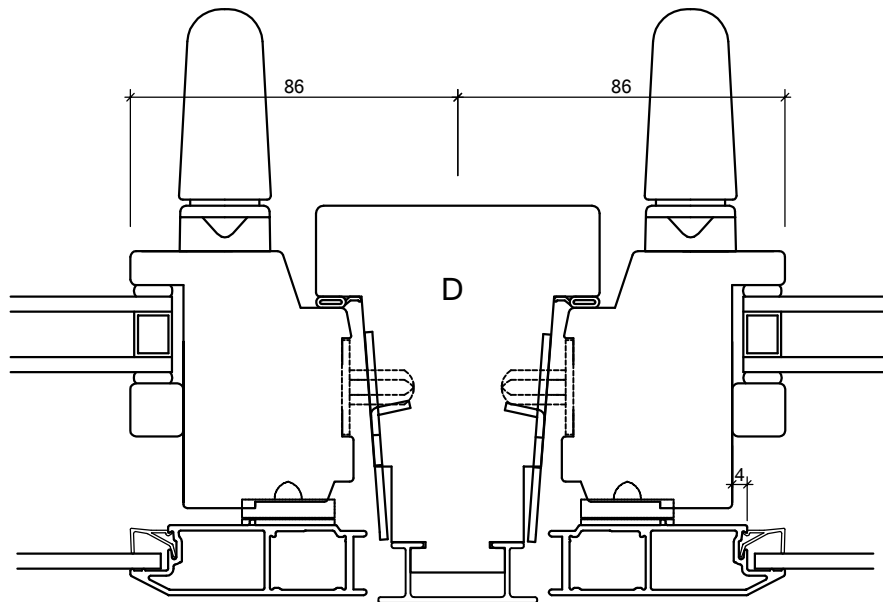
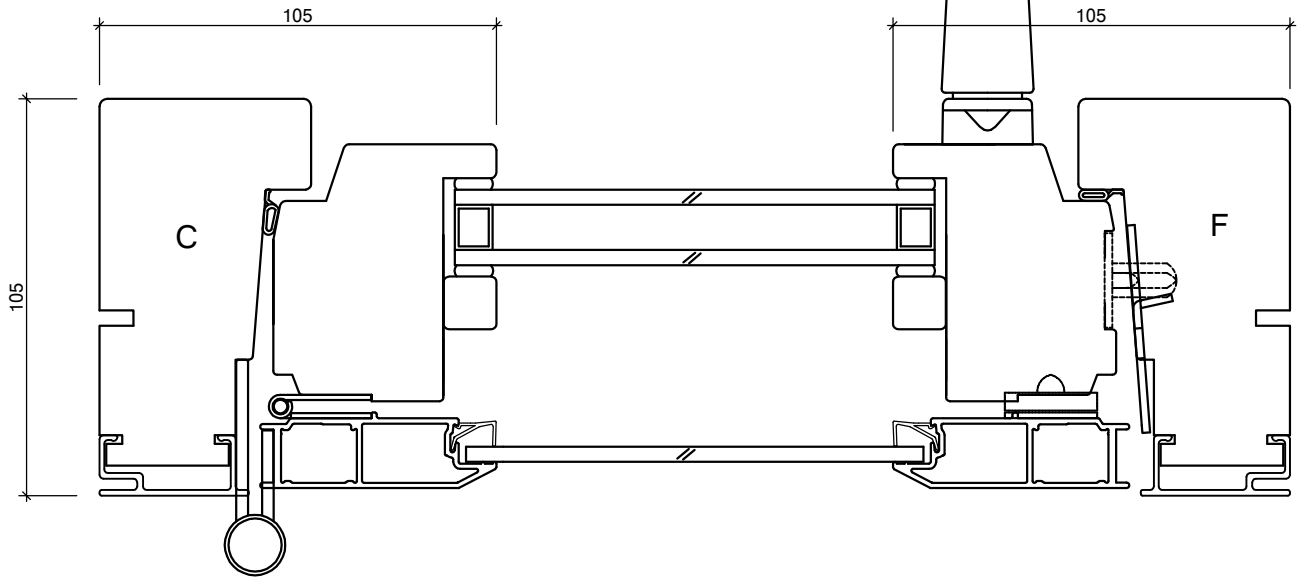
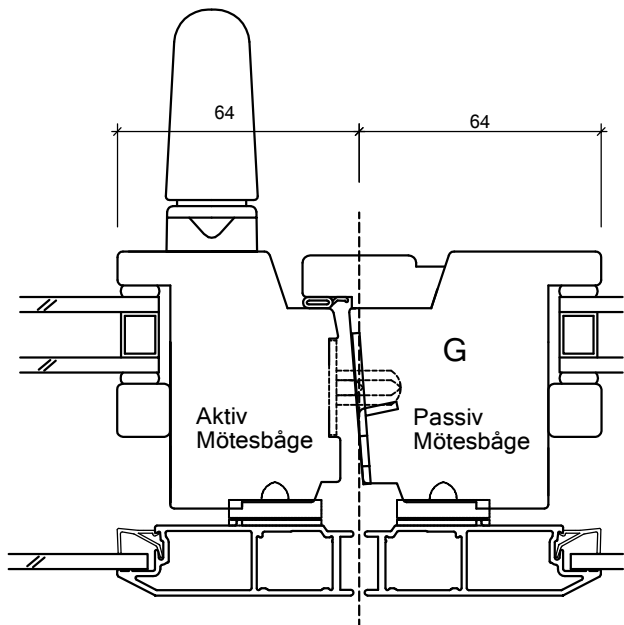


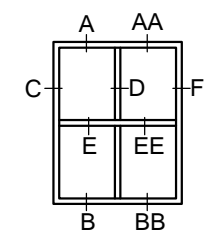
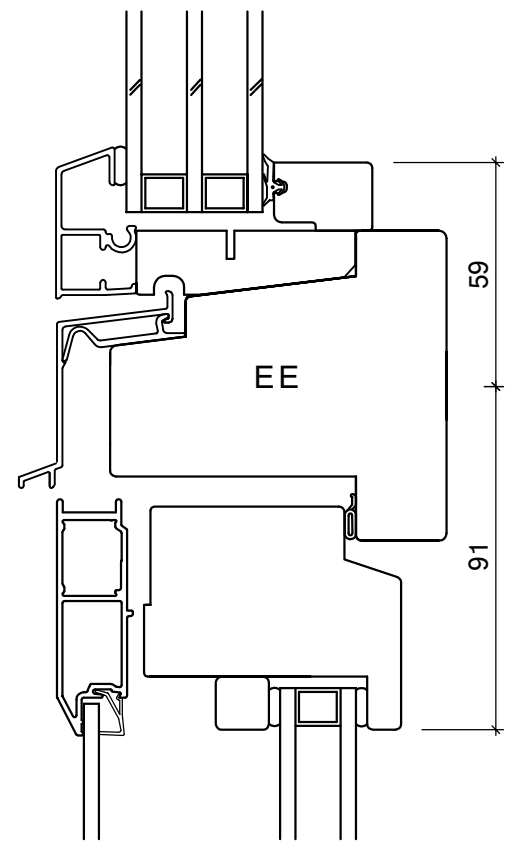
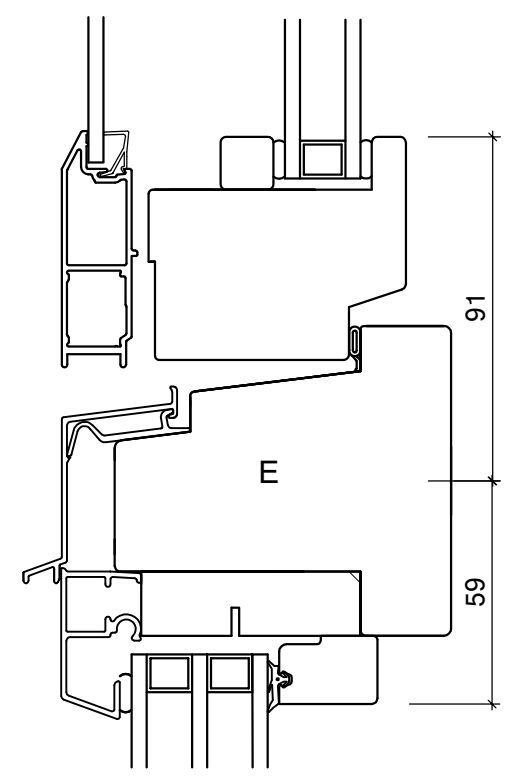
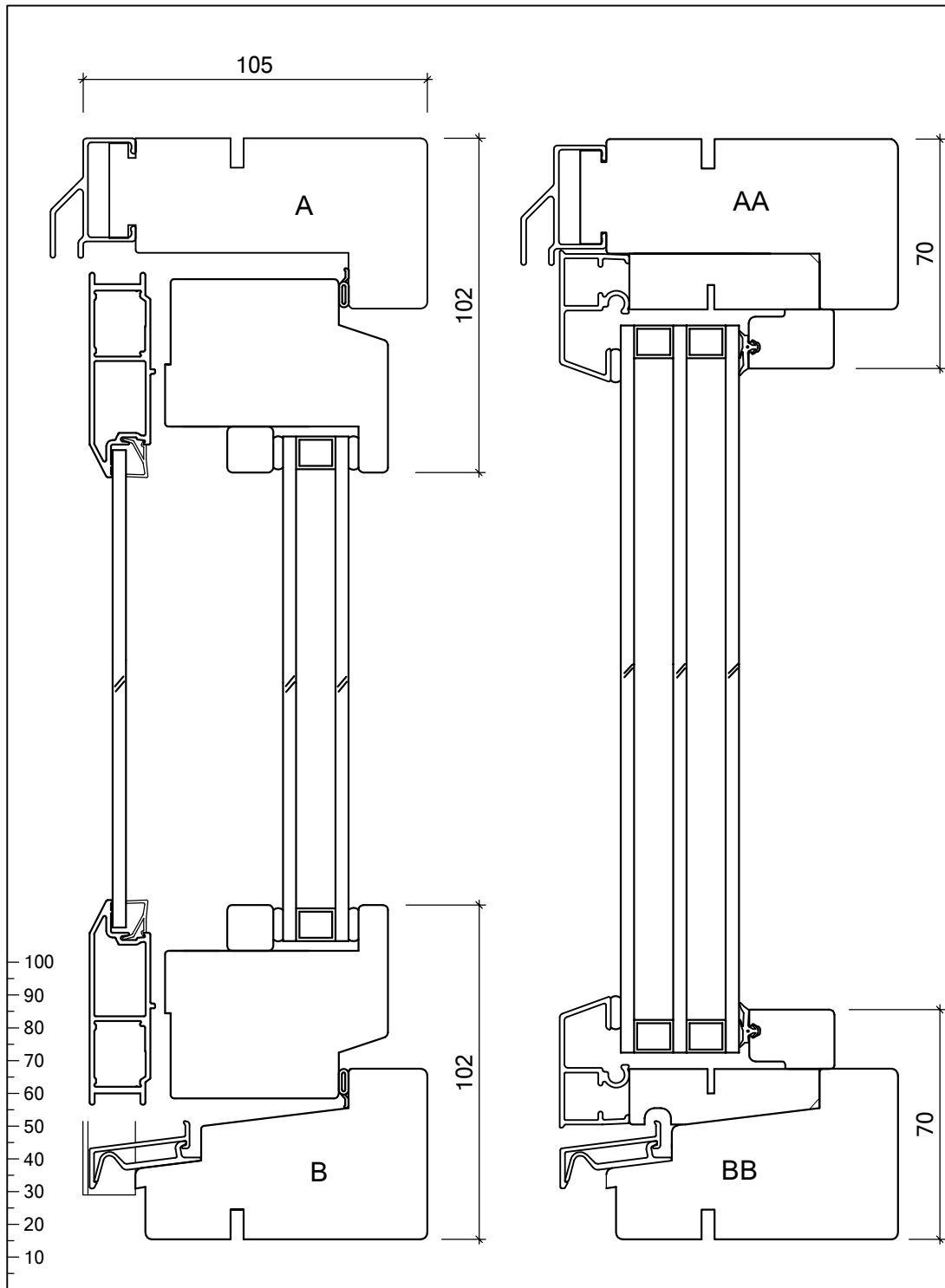
100
90
80
70
60
50
40
30
20
10


A	Nytt karmunderstycke	04-08-16	UK.	
Rev. no.	Description	Apply from	By	Checked
 kvillsfors fönster 570 16 Kvillsfors Tel. 0383-197 00 Fax. 197 29 www.kvillsforsfonster.se		FÖNSTER TYP KT344		
Drawn by	Date	Rev. date	Scale	Drawing No.
UK.	03-06-11		1:2	KT344:1

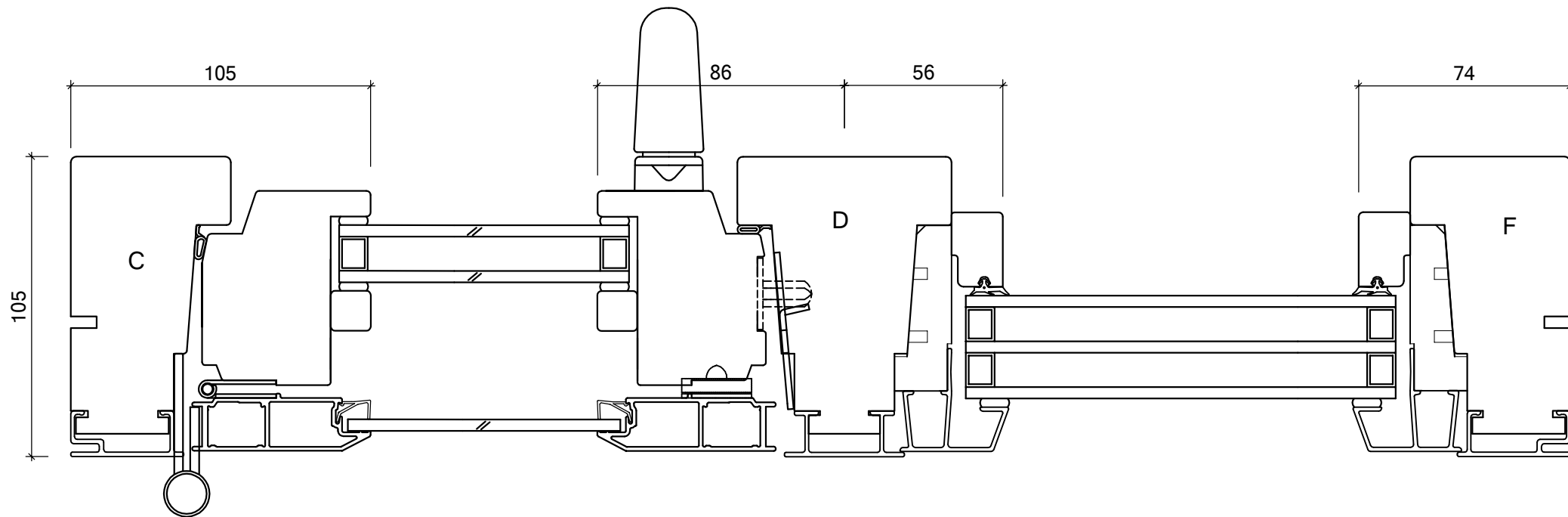


100
90
80
70
60
50
40
30
20
10

A	Ny skiss för kopplings sida.	2008-12-18	TE.	
Rev. no.	Description	Apply from	By	Checked
 kvillsfors fönster 570 16 Kvillsfors Tel. 0383-197 00 Fax. 197 29 www.kvillsforsfonster.se		FÖNSTER TYP KT344		
Drawn by	Date	Rev. date	Scale	Drawing No.
TE	02 06 11		1:0	KT344:2



A	Nya alu.profiler.	2009-01-13	TE.	
Rev. no.	Description	Apply from	By	Checked
 kvillsfors fönster 570 16 Kvillsfors Tel. 0383-197 00 Fax. 197 29 www.kvillsforsfonster.se		Kombination KT344/Fgl		
Drawn by UK.	Date 06-03-03	Rev. date	Scale 1:2	Drawing No. KT344/Fgl:1



105

105

86

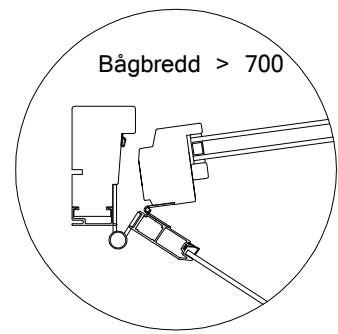
56

74

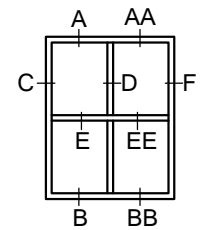
C

D


F



Bågbredd > 700



100
90
80
70
60
50
40
30
20
10

Rev. no.	Description	Apply from	By	Checked
 kvillsfors fönster 570 16 Kvillsfors Tel. 0383-197 00 Fax. 197 29 www.kvillsforsfonster.se		Kombination KT344/Fgl		
Drawn by UK.	Date 06-03-03	Rev. date	Scale 1:2	Drawing No. KT344/Fgl:2