
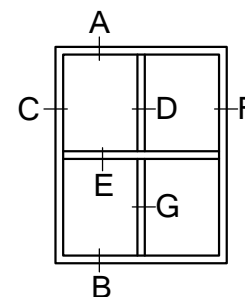
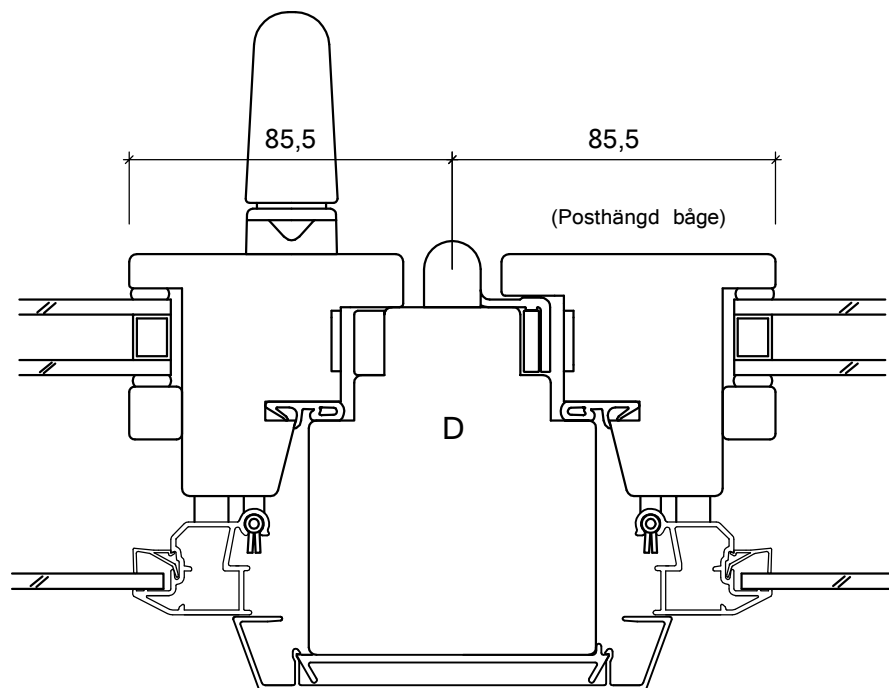
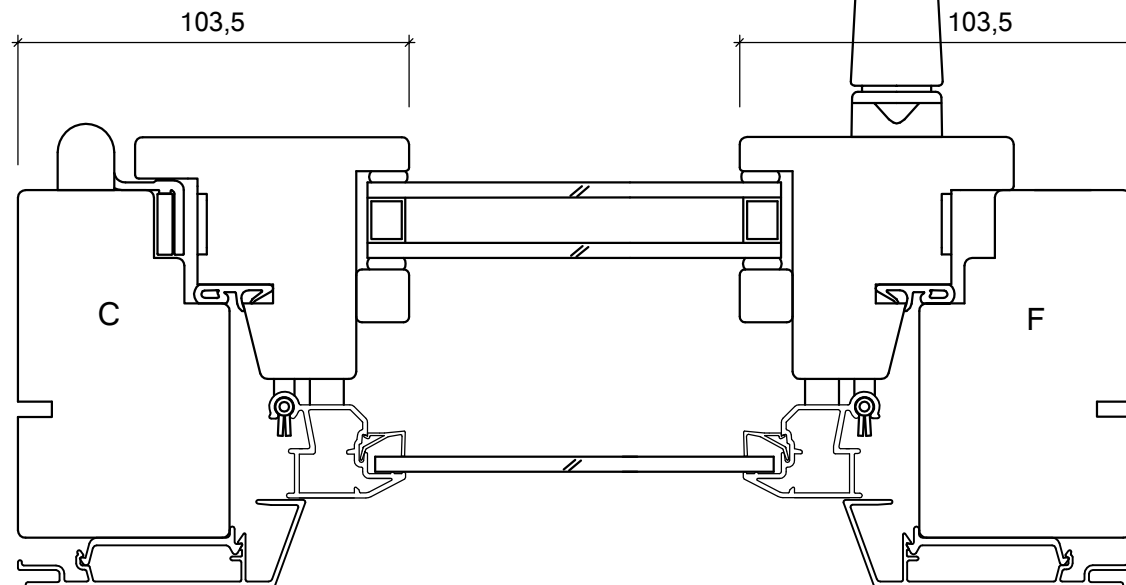
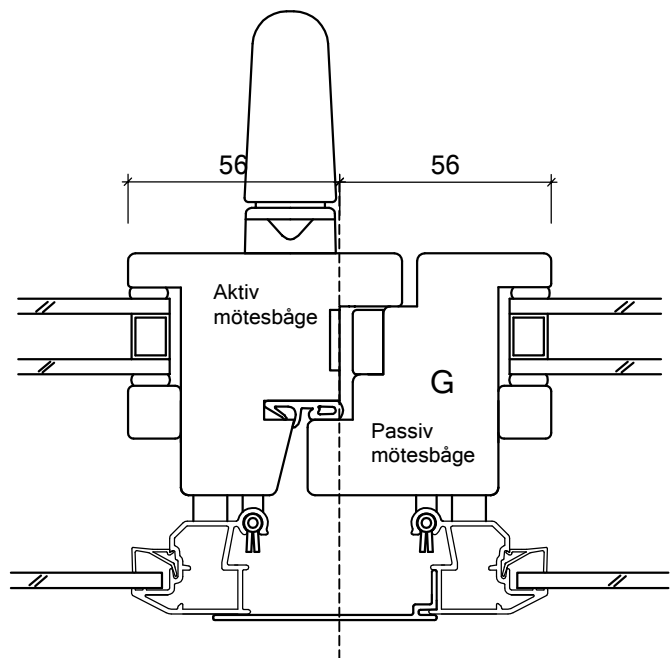



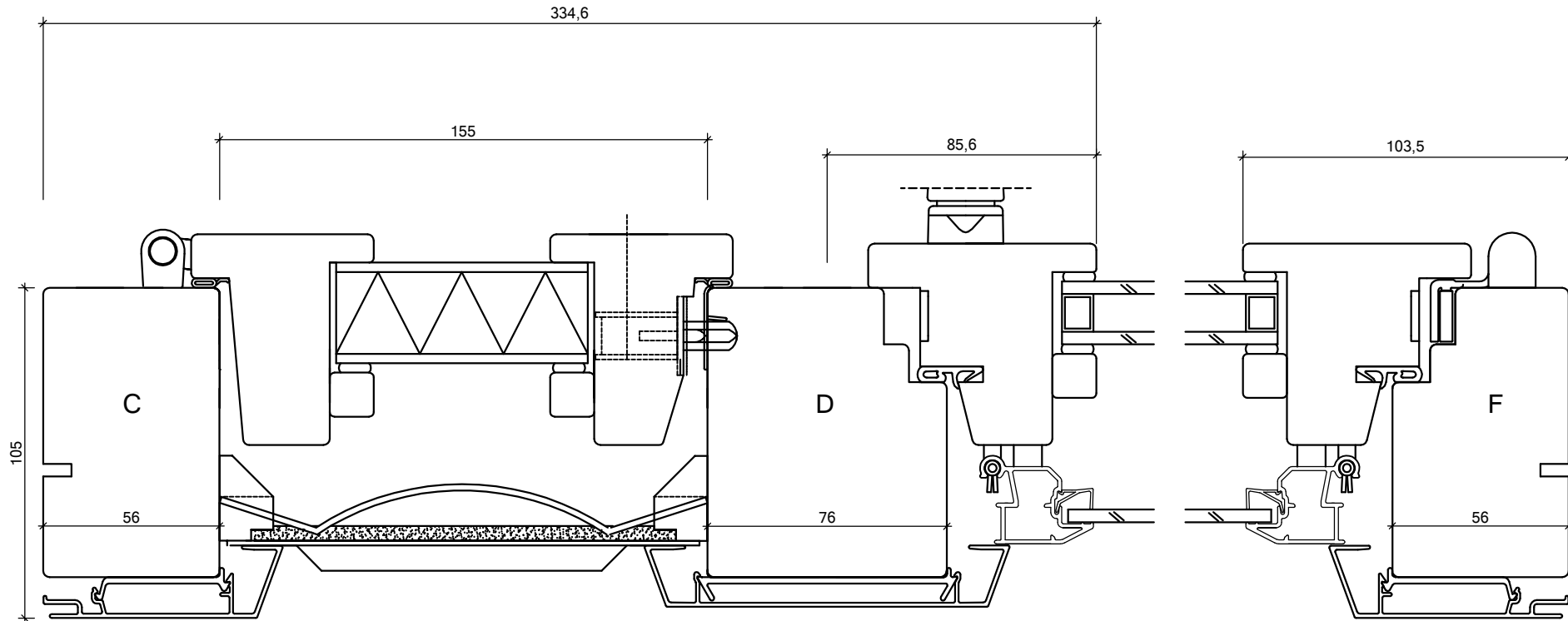
100  
90  
80  
70  
60  
50  
50  
40  
30  
20  
10

A	Ny ytterbåge.	2009-07-03	TE.	
Rev. no.	Description	Apply from	By	Checked
 <b>kvillsfors fönster</b> 570 16 Kvillsfors Tel. 0383-197 00 Fax. 197 29 www.kvillsforsfonster.se		FÖNSTER TYP KT198		
Drawn by	Date	Rev. date	Scale	Drawing No.
TK	02 01 12		1:2	KT10R-1




100  
90  
80  
70  
60  
50  
50  
40  
30  
20  
10

B	Nya profiler på möte KT198.	2008-03-28	TE.	
Rev. no.	Description	Apply from	By	Checked
 <b>kvillsfors fönster</b> 570 16 Kvillsfors Tel. 0383-197 00 Fax. 197 29 www.kvillsforsfonster.se		<b>FÖNSTER TYP KT198</b>		
Drawn by	Date	Rev. date	Scale	Drawing No.
TK	02 01 12		1:2	<b>KT198-2</b>



100  
90  
80  
70  
60  
50  
40  
30  
20  
10

B	Nya Nya bågprofilsmått.	2008-03-28	TE.	
Rev. no.	Description	Apply from	By	Checked
 <b>kvillsfors fönster</b> 570 16 Kvillsfors Tel. 0383-197 00 Fax. 197 20 www.kvillsforsfonster.se		KT198 med vädringslucka.		
Drawn by	Date	Rev. date	Scale	Drawing No.
TE	05 03 08		1:2	<b>KT102-2</b>